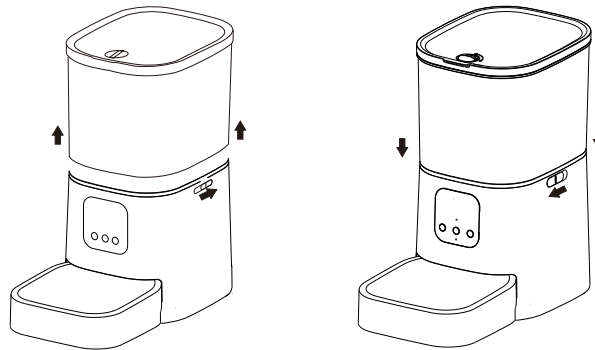


User Manual

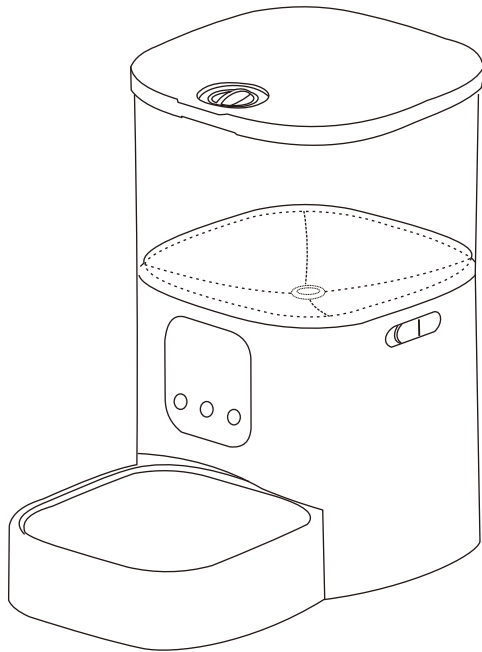
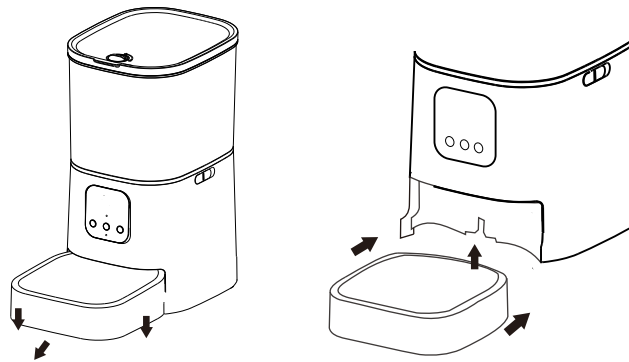
Automatic Pet Feeder

Installation Guide

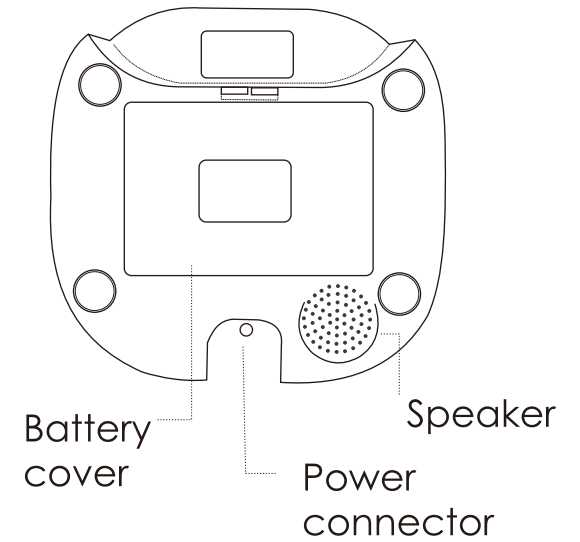
Disassembly/Install
the food container



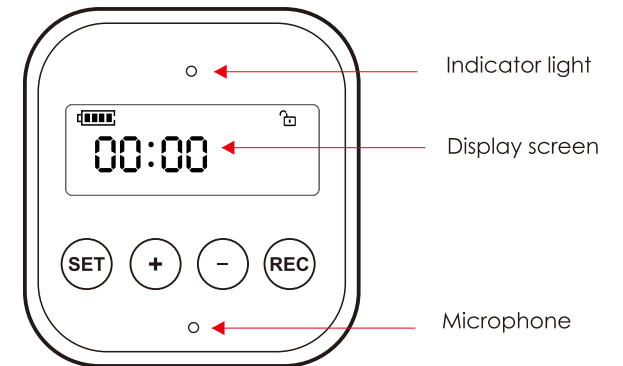
Disassembly/Install
the food tray



Bottom of equipment



Control panel



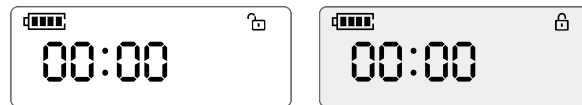
Control panel

Operation Instruction

1. Wake-up and lock screen

Wake up: press the "SET" button for 3 seconds, the screen is lit, the green light on, the device wakes up.

Lock screen: no operation for a while, the screen darkens, the device enters the lock screen state.



2. Time setting

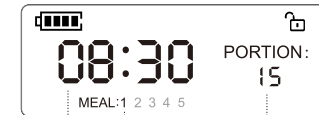
In the wake-up state, press the "SET" button for 3 seconds to adjust the number position when the time number blinking, At this time, short press the "SET" button to adjust the number position, short press the "+ / -" button to adjust the number.



Hour Minute

3. Feeding plan setting

In the wake-up state, short press button "+" enter to the first meal feeding settings page, At this time, long press the "SET" button for 3 seconds, the time number beats, and short press the "SET" button to adjust digital position, short press the "up / down" button to adjust the number. Set up and press the button "+" to switch the number of meals (up to 4 meals).



First meal

Feeding time Portions of food

4. Recording setting

In the wake-up state, long press the button "REC", hear the "Di" sound, and start recording, the red indicator light is on, release the button till the end, hear the "Didi" sound, At the end of the recording, press the "REC" button to play the recording.

The device only supports one recording message for up to 10 seconds, Recording are performed automatically during regular feeding.

5. Manual Feeding

In the wake-up state, press "set" and "+" at the same time, the device feeds one portion manually.

6. Device reset

In the lock screen state, long press "+" for 5 seconds

kindly reminder

1. This equipment is only suitable for dry grain. It is recommended that grain diameter 2-14 mm ;
2. Regular observation of grain barrels, when the amount of grain is insufficient, please add grain in time ;
3. It is recommended that according to the amount of pet food reasonable arrangement of grain, scientific feeding ;
4. Grain barrels are detachable, it is recommended that regular disassembly clean, dry after use
5. Battery life: About 15 days (different battery types, slightly different) ;
6. Usage environment: Indoor, Dry, Fine dust.