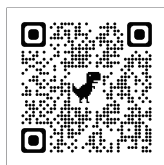
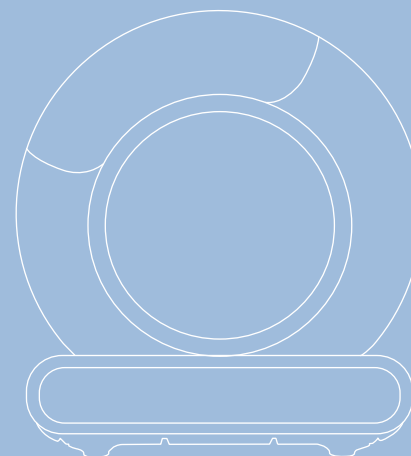


**HAVE PETS WITHOUT WORRY
CLEAN LIVING**



Please scan
the code to watch
the guide video.

Smart Cat Litter Box User Manual



FOR THE FIRST USE

- 1、Please place the machine on a firm and flat ground.
- 2、Please add litter no higher than MAX line after placing the machine well.
- 3、Please power on the machine and wait it to finish self-check. Then it is ready for cat to use.



CONTENT

FOR THE FIRST USE.....	01
I INSTRUCTIONS FOR THE FIRST USE.....	03
II APP.....	07
III OPERATING INSTRUCTIONS.....	11
IV FAULT SELF-CHECK METHOD.....	28
V FAQ.....	29
VI PRODUCT LIST.....	31
VII INTRODUCTION OF CONTROL PANEL.....	32
VIII CIRCUIT DIAGRAM.....	32
IX Filter and Bottom tray Disassembly & Assembly.....	33
X PARAMETERS AND SPECIFICATIONS.....	34

Cautions:

- 1.Please install and use this device strictly according to the instructions.
- 2.Please use it in an indoor environment, do not place it in direct sunlight, and keep it away from fire sources.
- 3.Please place the device on a flat and hard ground, and do not place articles on the top of the device.
- 4.Do not drag or place vigorously during placement to avoid device damage.
- 5.Kittens weighing less than 1kg and lactating cats should not use the auto cleaning mode of the device.
- 6.It is strictly forbidden to soak or immerse the host part of this device.
- 7.Please unplug the power cord when moving,cleaning the device or not using it for a long time.
- 8.Please use the original power adapter to avoid damage to the device or potential safety hazards.
9. If children use this device, please make sure to use it under the guidance of an adult.
10. Please perform maintenance under the guidance of professionals to avoid all kinds of damages.
- 11.If you encounter product use problems, please contact customer service.
- 12.Please read this manual carefully before.Once installed and used, it means that you have carefully read and accepted the following safety instructions.
- 13.If the product does not work properly due to other unknown conditions, and you do not have time to refer to the instructions, please restart the power.

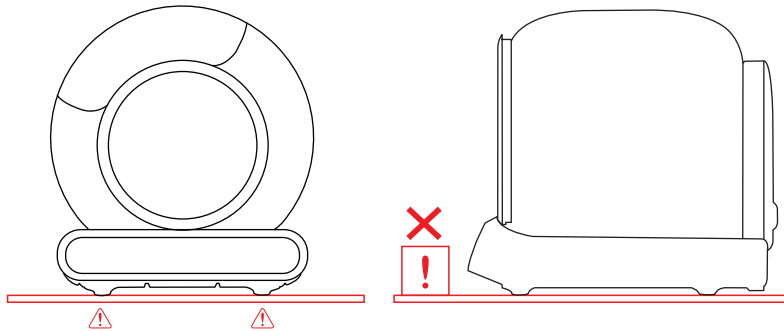
I INSTRUCTIONS FOR THE FIRST USE

1.1 Unpacking:

Turn over the carton to cut the tape from the bottom, then turn over back the carton to pull up the carton vertically.

1.2 Placement:

Place the machine on the flat ground and make sure all four feet of the product are in contact with the ground. Items with a height of more than 5CM shall not be placed within 30CM in front of the product, so as not to affect the cat identification sensor outside the product.



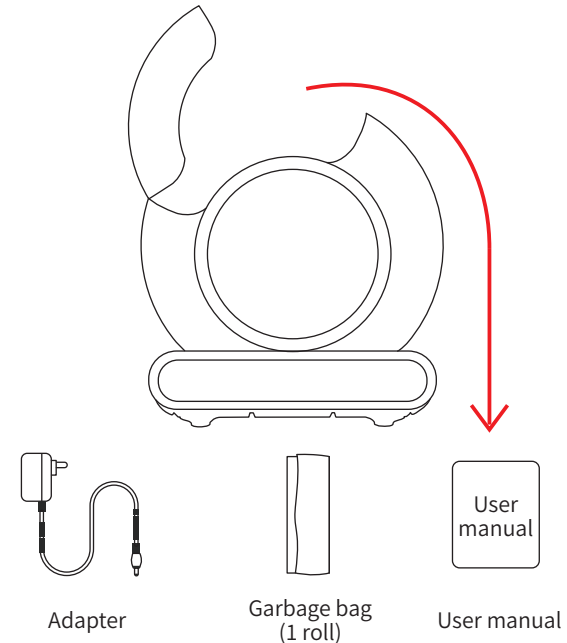
Some product models have some differences in appearance due to different configurations, please refer to the actual appearance of the product.

Notice:

- ✓ The four feet of the product must be in contact with a firm flat ground!
- ✗ Place the machine on soft carpet.
- ✗ Place the two front feet of the machine on the cat litter mat or carpet.

1.3 Accessories(in litter storage box):

Adapter*1 Manual*1
Garbage bag(45*50mm)*1(roll)

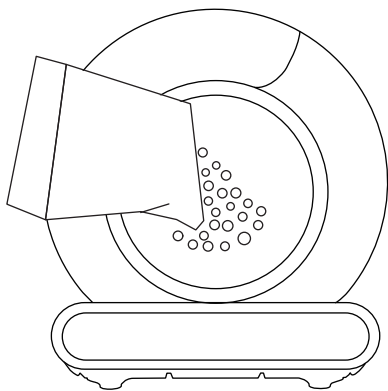


Notice:

Please observe the installation method of garbage bags, or scan the code below to watch the video.

1.4 Add Cat Litter:

Make sure the leveled litter height is between the MAX line and the MIN line.(The amount of sand can be adjusted according to the actual situation.)

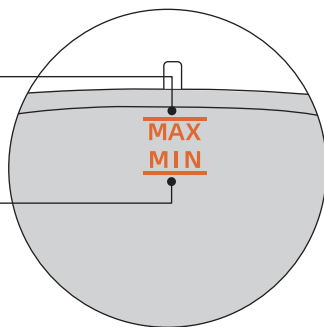


MAX Line

The amount of cat litter should not exceed Max line

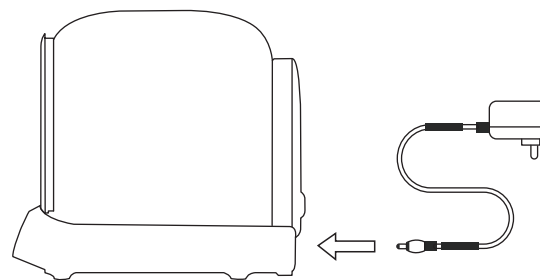
MIN Line

The amount of cat litter should not be lower than Min line



1.5 Use:

- 1.5.1 Power on with adapter and wait the machine to self-check for about 3-8 minutes.It will automatically enter the state of sensing after self-check, no need to change its program.
- 1.5.2 After the cat leaves, the product will automatically clean up the clumped cat excrement in about 3 minutes,last for 4 minutes.
- 1.5.3 After cleaning, the product will automatically start the smell cleaning function, and last for 30 minutes.



Notice:

- × Pick up or drag the product after powering up.(This will interfere with weight calibration in the reset program.)
- ①If you place the product in a narrow space or there is an infrared interference source in front of the product, the product self-check may take about 8 minutes.Please wait patiently.
 - ②If the product detected that the space is not suitable for its infrared sensor to work, the infrared detection function will be automatically disabled after self-check is completed.But the weight detection system inside the product will assume the judgment work of whether the cat enters.
 - ③During the clearing process, all keys are suspended. If you need to perform other functions, please wait until the clearing process is complete.

II APP

2.1 Overseas users



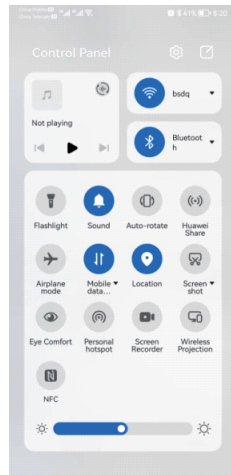
Method 1: You can scan the above icon with your mobile phone



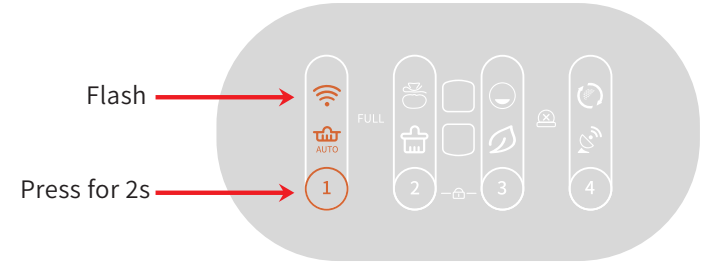
Method 2: You can download "tuya" App and install it by search it in the App store.

2.2 Networking:

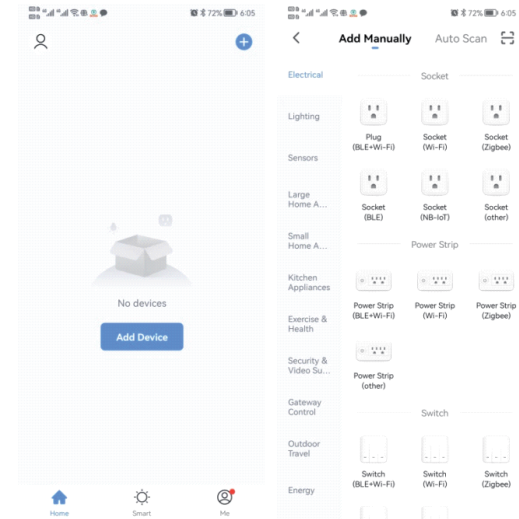
2.2.1 Confirm that the phone is connected to 2.4G WiFi, then turn on Bluetooth and Location.



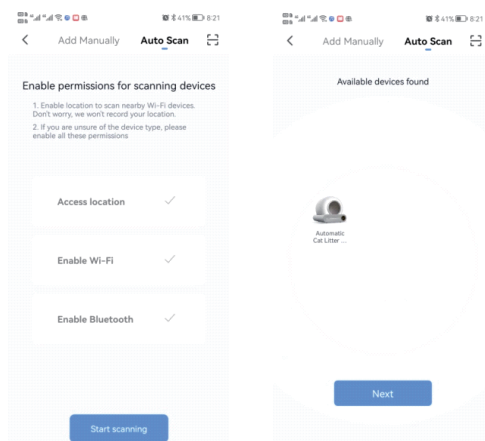
2.2.2 Long press the button "①" on the product panel for 2 seconds, the WIFI symbol will start flashing, which means the machine has entered the distribution network waiting.



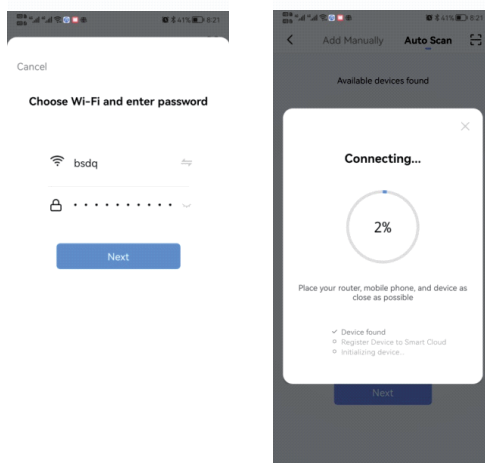
2.2.3 Open your phone App to add equipment or scan automatically.



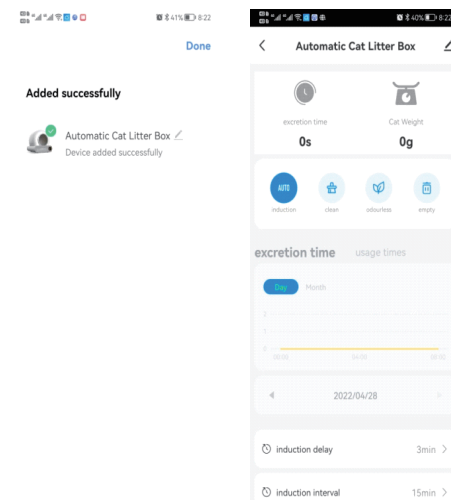
2.2.4 Continue “Next” after scanning the machine.



2.2.5 Continue “Next” after inputting WiFi code and wait to connect.



2.2.6 Enter APP after connecting.



Notice:

If the network configuration fails or a timeout message is displayed, check the following possibilities:

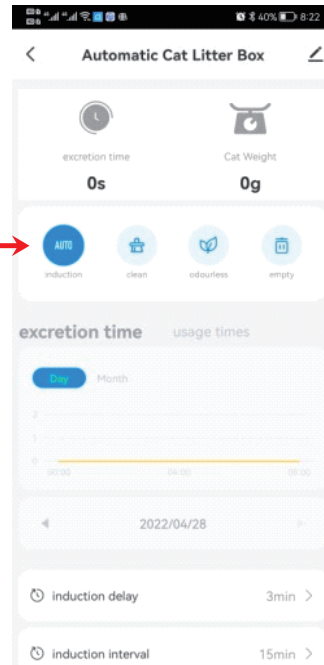
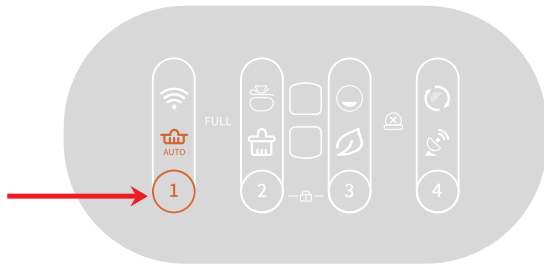
- ① Whether WiFi, Bluetooth, and Location switch are enabled at the same time.
- ② Whether the WiFi is in 2.4G band and whether the phone is connected to 2.4G band WiFi network. (The product cannot recognize the 5G band network.)
- ③ Whether the WiFi indicator on the panel is flashing during network configuration.
- ④ Whether the WiFi network in your home is faulty or down, please check whether other devices can use the network normally.
- ⑤ Whether the WiFi password is correct.
- ⑥ Whether the WiFi signal is too bad, please move the machine to a nearby router and reconnect.
- ⑦ The router connects to many wireless devices, causing IP address conflicts.
- ⑧ For dual-frequency routers, the network cannot be configured directly. Users need to separate 2.4G and 5G into independent channels in router Settings, and then select 2.4G channel for network configuration.

III OPERATING INSTRUCTIONS

3.1 Auto:

Click the button "①" on the product panel, or click the "AUTO" on the app.

Make the "AUTO" icon light up.

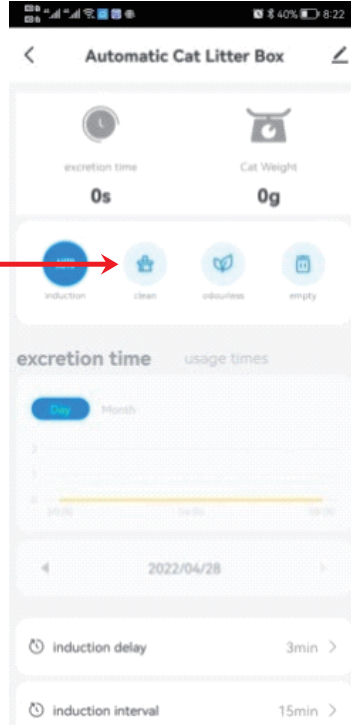
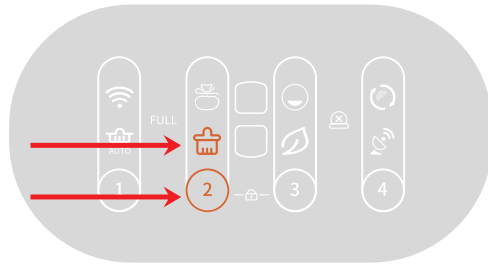


Notice:

- ① After the product is powered on and the self-check reset is completed, the inductive cleaning mode will be automatically turned on. If you turn off this mode for other needs, you can turn on the inductive cleaning function by clicking the button "①" again.
- ② If you are using litter that clumps quickly, you can adjust the "cleaning wait time" in the App, such as 1 minute, to clean the litter as quickly as possible and reduce the smell. If you are a multi-cat family, you can adjust the "cleaning interval" in the App, for example 30 minutes, so as to avoid repeated ineffective cleaning of the product.
- ③ If the cat enters the bin for more than 10 seconds, the cat is judged to have potty behavior. After the cat leaves for 3 minutes, the automatic cleaning procedure will be performed. (The default interval between cleanups is 15 minutes to prevent the product from being started too frequently during multiple cats use. If the machine don't work after your second cat pees, it may because the interval these two pees is less than 15 minutes.)
- ④ The button on the App cannot be closed/opened or synchronized with the panel temporarily, please check the network status or re-configure the network or click the corresponding button on the App and repeat once or twice.

3.2 Clean:

Click the button "②", or click the "Clean Now" icon on the app, the product will perform a clean up immediately.



Notice:

- ① During the clearing process, all keys are suspended. If you need to perform other functions, please wait until the clearing process is complete.
- ② Prolong the waiting time for cleaning in phone App when the cat has diarrhea, so as to allow the cat litter to take enough time to clump and reduce the pollution of soft feces to the ball bin.
- ③ If you have restarted the machine, the waiting time of "Clean" procedure will be restored to the default value 3 minutes, which can be reset in the APP if necessary. (setting range: 0 to 60 minutes)
- ④ Prolong the interval time between two clearings when you have multiple cats, so as to prevent repeated cleaning of products.
- ⑤ If you have restarted the machine, the interval time between two clearings will be restored to the default value 15 minutes, which can be reset in the APP if necessary. (setting range: 0 to 120 minutes)

3.3 Add cat litter:

Method 1:

In "Auto" mode, when the adding cat litter is more than 1kg, the "Auto" will flash. After 30 minutes, the cat litter will be automatically smoothed and the weight will be automatically calibrated. If you think 30 minutes is too long to wait, please long press the "Remove odor" button for 2 or more seconds. The sand will be smoothed immediately and the weight will be calibrated immediately.

Method 2:

Power off the machine, then power it on again after adding sand.

Recommended suitable cat litter:

Mineral litter, Bentonite litter

Compatibility Cat litter:

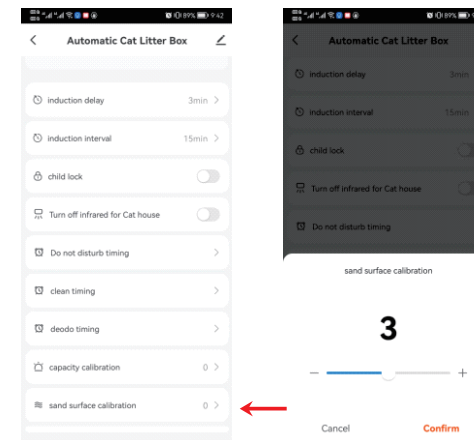
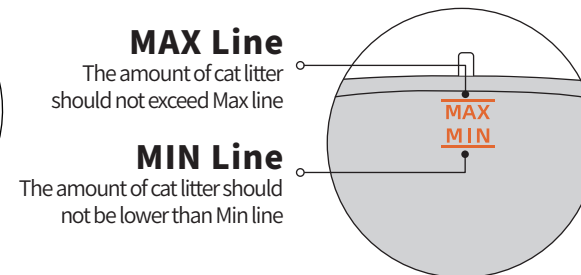
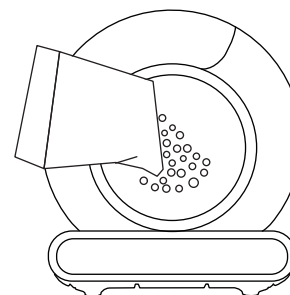
- ① Tofu litter (diameter not more than 2.5mm, length not more than 15mm)
- ② Mixed litter of Tofu litter and Bentonite litter (diameter not more than 2.5mm, length not more than 15mm).

Cat litter that is not recommended:

- ① Crystal litter, crystal litter can not clump well, which will bring a serious cleaning burden to the inner wall of the cat litter basin.
- ② Tofu litter with the length of more than 15mm, poor fluidity and filtration, there will be some stuck inside the filter. This phenomenon can also be alleviated by adjusting the parameter to 6 by "litter surface calibration" on the App.
- ③ Low-density cat litter, such as pine wood cat litter and activated carbon cat litter, it is difficult to rely on its own weight to pass through the filter. Some of them will be stuck inside the filter. This phenomenon can also be alleviated by adjusting the parameter to 6 by "sand surface calibration" on the App.

Notice:

- ① The machine won't stop when it is smoothing sand even cat enters in at this moment. But don't worry. The machine only swing in some angles, this swing won't hurt cat. (Besides this situation, the machine have protection function. It will stop immediately once cat walks close to the entrance during clearing.)
- ② Please make sure the height of the sand is between MIN line and MAX line after adding. If not, please adjust it with method 2.
- ③ You can find the sand surface correction option on the App to adjust the position of the sand. (In grade 0, the sand surface is tilted to the right, and in grade 6, the sand surface is tilted to the left.)

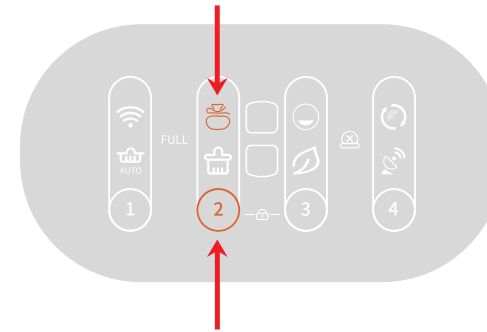
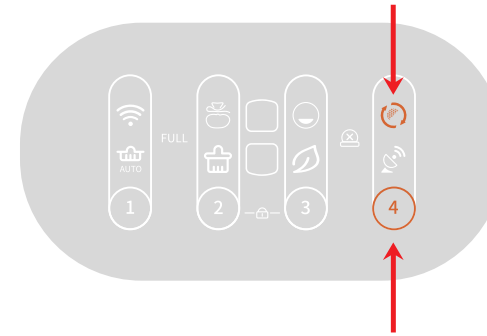


3.4 Replace litter:

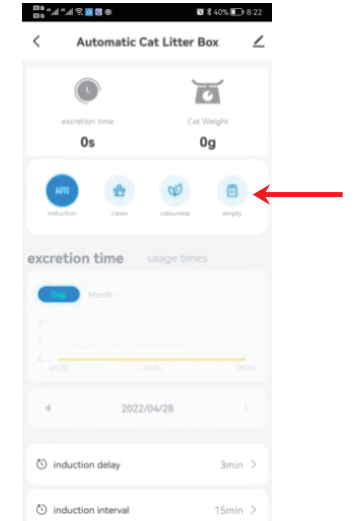
- ① Replace the garbage bag with an empty one (to avoid that the original one is already full of litters);
- ② Make sure the rest litter is close to MIN line (to avoid the overflow when the bin rotates);
- ③ Long press button "4" for 2 seconds, the ball bin will rotate clockwise and start to execute the litter change procedure for about 3 minutes, please wait patiently for the product to complete the automatic litter change.
- ④ Replace the garbage bag with an empty one again after clearing litter;

Notice:

- ① If the residual amount of litter is close to or exceeds the "max" character on the rubber bottom tray, using the "Replace Litter" function may result in some of the cat litter remaining in the machine after the litter change operation, and may even cause the cat litter to overflow out of the bucket.
- ② If you operate this function by mistake, or after starting the litter change, you find that there is no new waste bag, you can press the button "4" again for 2 seconds to cancel the litter change action, and the bin will automatically return to the right position.



Long press for 2 seconds to start the waste bag change mode immediately.



3.5 Remove Odor:

Method 1:

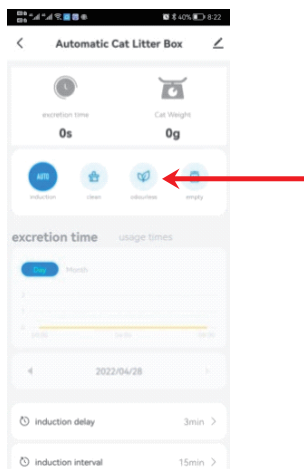
Click the button "③", or click "Remove Odor" in the app to start the odor cleaning function for about 30 minutes.

Method 2:

Set regular work on your phone App.

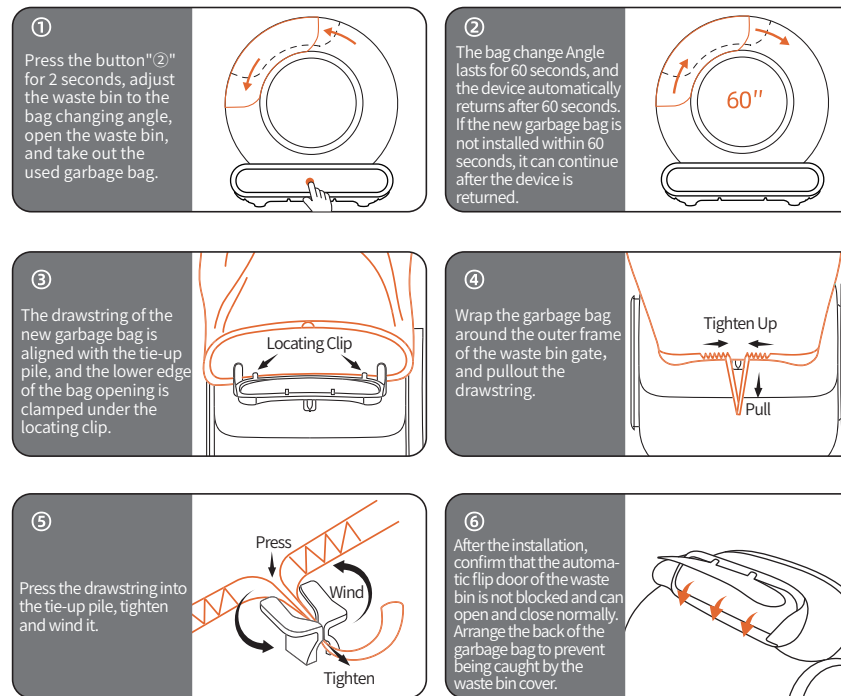
Notice:

- ① The machine will remove odor automatically for 30 minutes after every clearing.
- ② It will stop automatically once cat enters in, continue to work after cat leave.



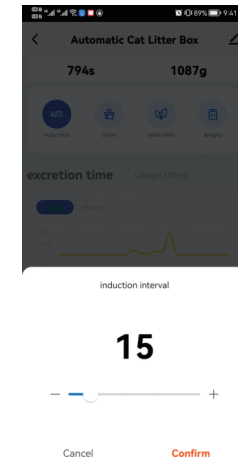
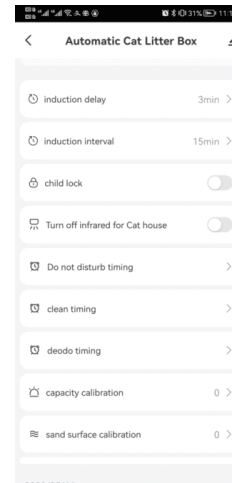
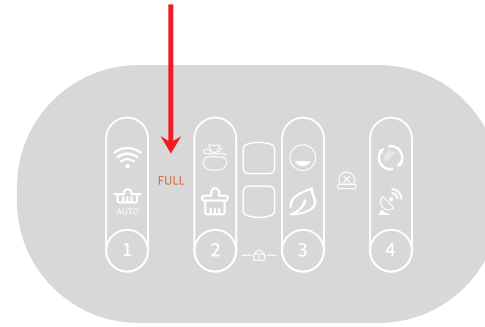
3.6 Replace garbage bag:

When indicator "Full" lights up, you need to replace the garbage bag.



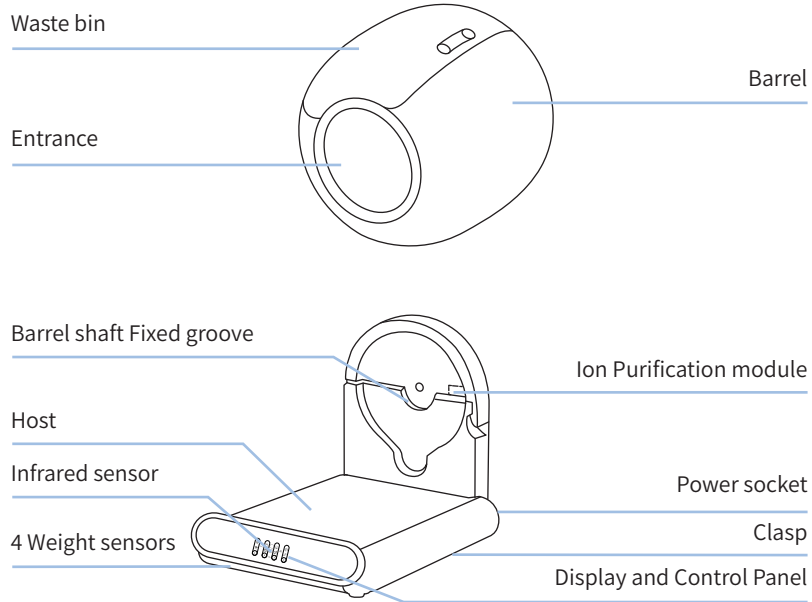
Notice:

- ①The “Full” prompt is only a reference value. When using different types of cat litter, its volume, density and fluidity will affect the judgement of “Full” prompt. In the APP, you can adjust the delay of “Full” prompt according to your own use. The default value is 0 (there is still a little space in bag for garbage), and the maximum value can be adjusted to 15.
- ②If you have restarted the machine, the delay of “Full” prompt will be restored to the default value 0, which can be reset in the APP if necessary.
- ③Normally, the storage capacity of one cat can reach 15 days, and three cats can reach 5 days. Users can replace the garbage bag every 5 days depending on the number of cats or temperature conditions.



3.7 Wash bin:

- ① Please power off the machine first!
- ② Open the buckle of the barrel compartment, lift the bin.
- ③ Dry the bin before loading it back to the base!

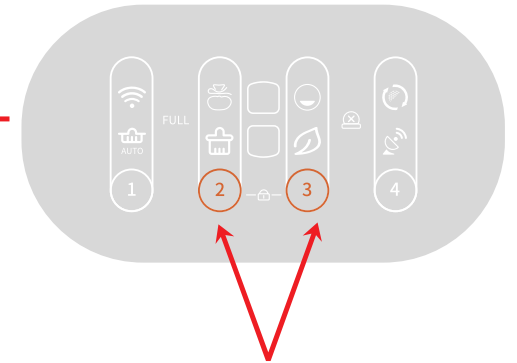
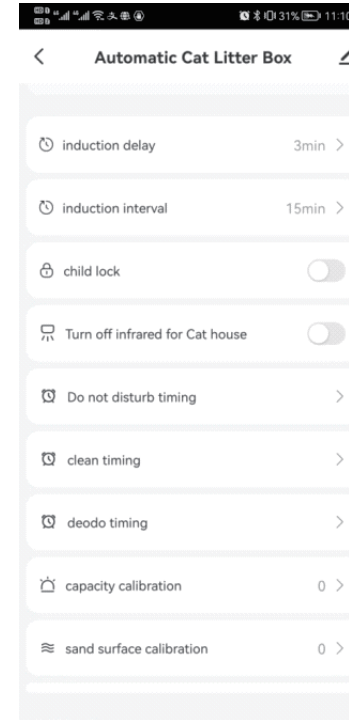


Notice:

If the indicator of bin icon lights up, please restart the machine or click the button "②" to make it clear once.

3.8 Lock the keyboard:

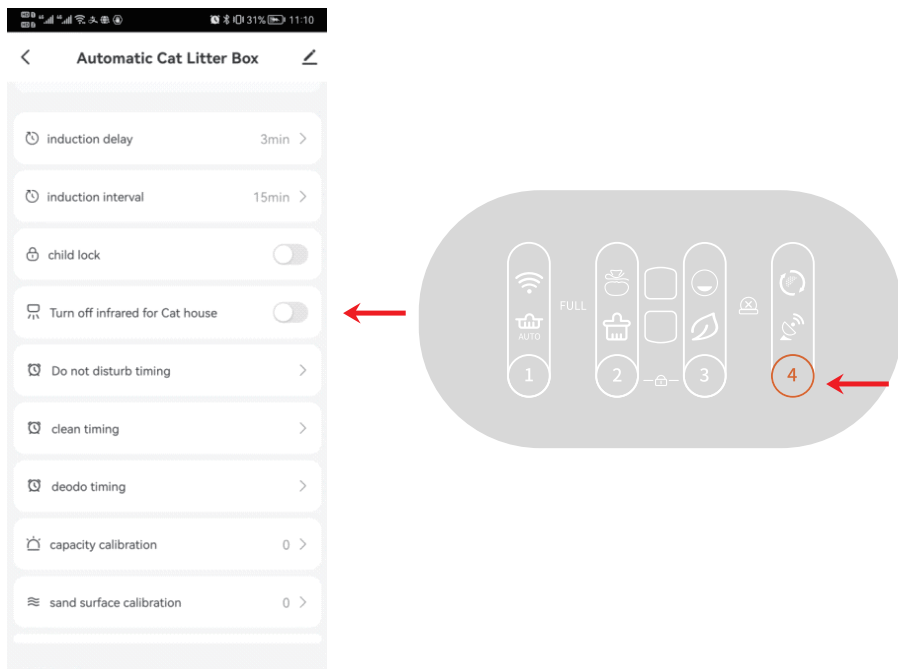
You can activate or deactivate the child lock function by pressing buttons "②" + "③" for more than 2 seconds at the same time, or by using the "Child Lock" option on the app.



Press button "②"+button "③" for 2 seconds

3.9 Turn off or turn on infrared sensor:

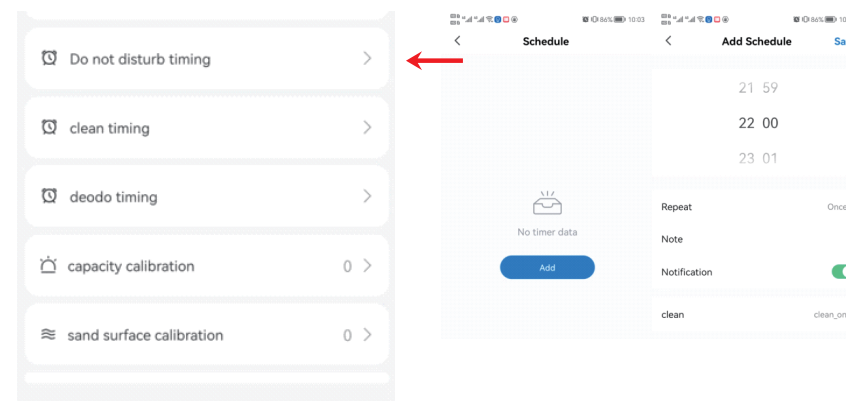
When cat litter box is placed in a cage or a narrow space, please click the button "4" infrared sensor option directly or in the APP to turn on or off the bucket infrared sensor for preventing the machine from always judging wrongly.



3.10 Timing:

3.10.1 sleep mode

When cat litter box is placed in the bedroom, you can set in the App "Do not Disturb Timing" to prevent the night-time activation from disturbing sleep.



Notice:

- ① During the DND period, the light on the panel will be off. Touch any button to exit the DND mode immediately.
- ② If the product is clearing when setting DND, the machine will enter the DND state after the cleaning is complete.

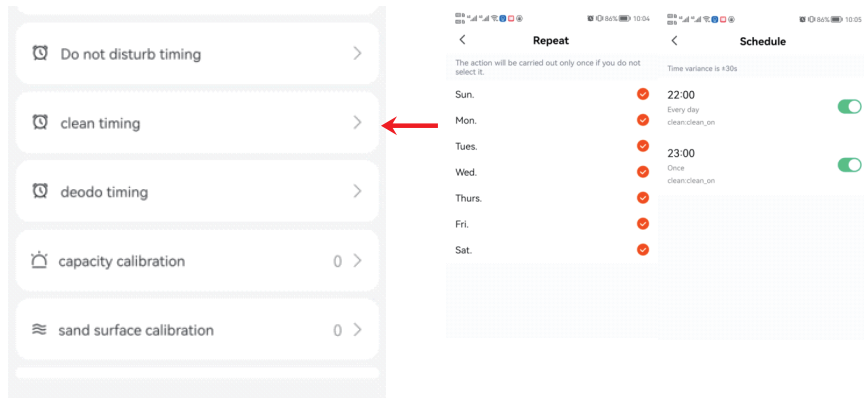
3.10 Timing:

3.10.2 Regular clean-up mode

Set the machine to clean regularly in the App “Clean Timing”.

3.10.3 Timing remove odor

Set the machine to remove odor regularly in the App “Deodo Timing”.



Notice:

If the execution time of these scheduled procedures overlap with the DND time, the product will first perform odor and cleaning, and then return to DND mode.

IV FAULT SELF-CHECK METHOD

4.1 Within 2 minutes of re-powering the product, click the button "③" more than 5 times continuously, the product can enter the detection mode.

4.2 In testing mode:

- ① Click each key to check whether the key works properly. If it works properly, the PCB hardware is good.
- ② Press the machine from the top with a force of more than 1kg to see whether the “Full” indicator flashes. If it does, the weight sensor is good.
- ③ If the bin icon keeps lighting up, the motor is good.
- ④ If the WiFi icon keeps lighting up, the WiFi hardware is good.
- ⑤ Cover the infrared sensor at the barrel mouth, if the “Auto” icon flashes, the sensor is good.

4.3 Re-power on the machine after checking.

V FAQ

Q: Why is the weight data only about half of that of my cats?

A: Please check whether the cat enters the machine with only two feet inside due to curiosity. Or is the machine placed on a flat ground with four feet connecting to the ground?

Q: Why is the App showing motor failure/why is the fault indicator lighted on the equipment panel/why is the equipment always self-checking?

A: If the self-check takes more than 15 minutes, the fault indicator is on. It may be that the barrel compartment is not properly installed or there is foreign matter stuck in the rotation. Please open the buckle of the barrel compartment, lift the barrel to check, and then put it back according to the tips (on the base) and close the buckle.

Q: Why is the clearing time so long?

A: Lower revs make timid cats less scared; It will prolong the whole clearing time if cats enter in or come close frequently due to curiosity.

Q: Why the machine rotates back for a while before finishing the whole rotation?

A: In order to save sand and increase the capacity of the collection bin;

Q: Why the poop can't be cleaned to the garbage box?

A: The door may be blocked by cat litter or garbage bag, or garbage too large to pass through; Please check whether the garbage entrance can be fully opened and closed smoothly (it is recommended to check every time after installing new bag). Large garbage can be handled manually to make it smaller first.

Q: What kind of cat litter sand should I use?

A: Mixed sand and tofu sand are preferred; Bentonite sand and mineral sand are okay, may affecting the delay time of "Full" prompt due to their weight density and liquidity.

Q: Why is there some sand left in the bin after I used the "Replace Litter" function?

A: Maybe there is not enough space in garbage bag, please replace the bag then "Replace Litter" again.

Q: Why is the sand leaking out from the mouth of the garbage box when replacing garbage bag?

A: Please Press the button "②" for 2 seconds, then the litter bin will rotate 90° counterclockwise to ensure that the mouth of the bag is upward when replacing.

Q: Why is the weight data incorrect?

A: Please Press the button "③" for 2 seconds, the sand will be smoothed and the weight will be calibrated immediately. Also please check whether the machine is placed on a flat and firm ground. Cats that do not fully enter the bin or stay in the bin for too short may also result in inaccurate weighing. If a cat enters the bin while working, it will also get an inaccurate weight.

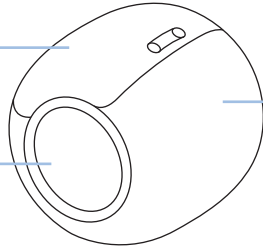
Q: Why the machine didn't stop working while cat enters in?

A: The machine won't stop when performing sand leveling and weight calibrating. However, the safe structure of the product, together with the rotation Angle of the action ($\pm 45^\circ$) is no danger for the cat to enter in when working.

VI PRODUCT LIST

Waste bin

Entrance



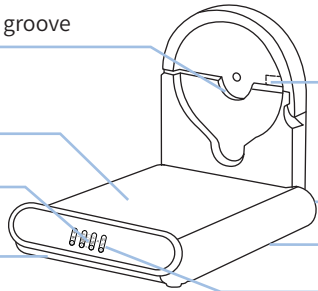
Barrel

Barrel shaft Fixed groove

Host

Infrared sensor

4 Weight sensors



Ion Purification module

Power socket

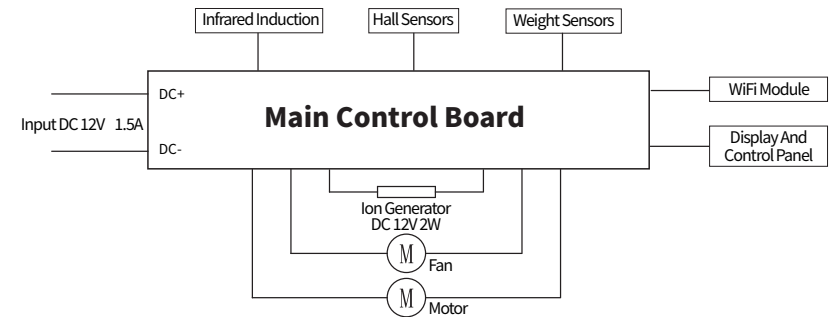
Clasp

Display and Control Panel

VII INTRODUCTION OF CONTROL PANEL

Category	Function	Operation	Status	Prompt tone		
wifi	Clean	Click the button "②"		Start cleaning immediately	one ring	
	Replace litter	Press the button "④" for 2 seconds		Start replacing cat litter	Long ring for 1"	
	Auto cleaning	Click the button "①"		Start Auto cleaning	one ring	
	Remove odor	Click the button "③"		Start purifying the air	one ring	
	Join network	Press the button "①" for 2 seconds		Reset WiFi to start join network	Long ring for 1"	
	Leveling	Press the button "③" for 2 seconds		Leveling the cat litter	Long ring for 1"	
	Change garbage bag	Press the button "②" for 2 seconds		Adjust the barrel angle to the bag changing position	Long ring for 1"	
	Lock/Unlock	Press the button "②" + "③" for 2 seconds		Locked/Unlock	Long ring for 3"	
	Indicator	Fault lamp	Lighting		Barrel is not installed or it cannot run	
		WiFi lamp	Lighting		The device is connected	
Flash				The device is trying to connect to the network		
Unlit				The device is not connected		
Waste full lamp	Lighting		Remind users to replace garbage bag when the waste bin is almost full			

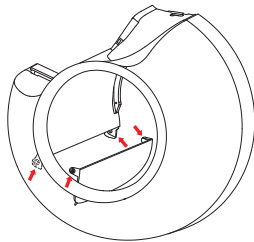
VIII CIRCUIT DIAGRAM



IX Filter and Bottom tray Disassembly & Assembly

In order to facilitate users disassembly and assembly, the two accessories as shown in the picture are fixed with buckles. If they fall off during transportation, it is a normal phenomenon. Please refer to this picture, after installation, it can be used normally.

Disassembly & Assembly of ball bin filter



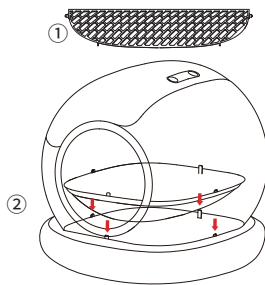
1. Disassembly & Assembly method of filter

Hold the left and right sides of the filter and align it with the shaft hole of the filter baffle, Disassembly & assembly can be completed

Disassembly & Assembly of ball bin bottom tray



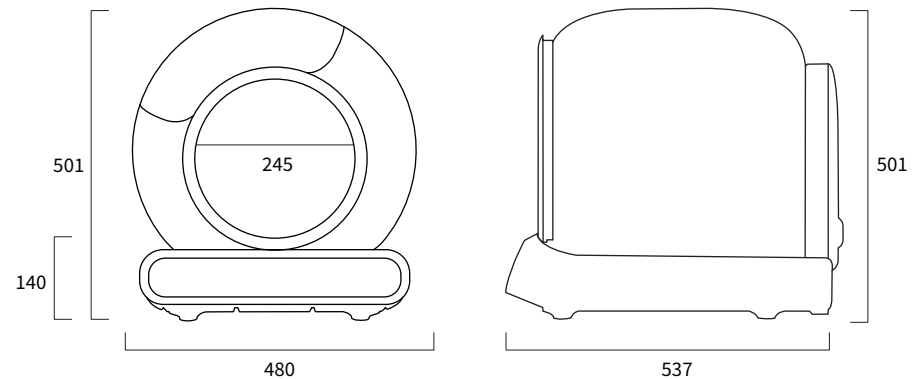
Scan the QR code to watch the disassembly & assembly video



2. Disassembly of bottom tray

- 2.1 Remove the filter first
- 2.2 After aligning the front and rear anchor points, press the four anchor points into the installation slots in sequence
- 2.3 In order to improve the fitting area between the bottom tray and the ball bin, the edge of the bottom tray is relatively sharp. Please wear gloves when disassembling

X PARAMETERS AND SPECIFICATIONS



Product Name	Product Model	Whole Machine Size
Smart Cat Litter Box	MSP-04	480(W)×537(D)×501(H)mm
Rated Voltage	Rated Power	Suggested Pet Type
DC12V	≤18W	cat